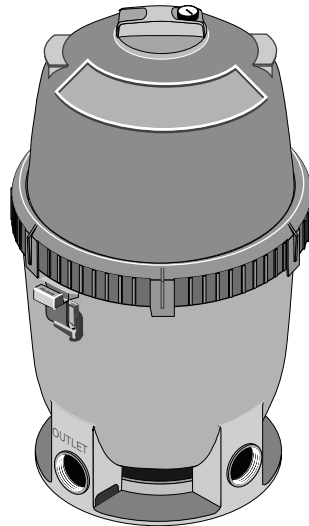


# STA-RITE®

## System 2™ Modular DE Filter

O W N E R ' S M A N U A L



2161 1295

---

INSTALLATION, OPERATION & PARTS

### MODELS

PLD50

PLD70

E  
N  
G  
L  
I  
S  
H

F  
R  
A  
N  
Ç  
A  
I  
S

E  
S  
P  
A  
Ñ  
O  
L



This manual should be furnished to the end user of this filter; its use will reduce service calls and chance of injury and will lengthen filter life.

**Sta-Rite Pool/Spa Group**

U.S. PATENT NO. 5190651 (Other patents pending)

293 Wright Street, Delavan, WI 53115

International: 262-728-5551, FAX: 262-728-7550

www.starite.com

Union City, TN • Delavan, WI • Mississauga, Ont. • Murrieta, CA

© 2003, Sta-Rite Industries

Printed in U.S.A.

S339 (Rev. 12/9/03)

## Table of Contents

Safety Instructions .....	2
General Information .....	3
Specifications .....	4
Installation .....	5
Initial Startup .....	6
Filter Disassembly / Assembly .....	6-7
Module Cleaning Procedure .....	8
Special Cleaning Instruction .....	8
System Inspection/Winterizing .....	9
Troubleshooting Guide .....	10
Repair Parts List .....	11
Warranty .....	12

## READ AND FOLLOW SAFETY INSTRUCTIONS!

**⚠** This is the safety alert symbol. When you see this symbol on your filter or in this manual, look for one of the following signal words and be alert to the potential for personal injury.

**⚠ DANGER** warns about hazards that **will** cause death, serious personal injury, or major property damage if ignored.

**⚠ WARNING** warns about hazards that **can** cause death, serious personal injury, or major property damage if ignored.

**⚠ CAUTION** warns about hazards that **will** or **can** cause minor personal injury or property damage if ignored.

**NOTICE** indicates special instructions not related to hazards.

**Carefully read and follow all safety instructions in this manual and on equipment.** Keep safety labels in good condition; replace if missing or damaged.

**⚠ WARNING** **Hazardous pressure** **Incorrectly installed or tested equipment may fail, causing severe injury or property damage.** Read and follow instructions in owner's manual when installing and operating equipment. Have a trained pool professional perform all pressure tests.


1. Do not connect system to a city water system or other external source of pressurized water.
2. Use equipment only in a pool or spa installation.
3. Trapped air in system can cause explosion. **BE SURE** all air is out of system before operating or testing equipment.

**Before pressure testing, make the following safety checks:**

- Check all clamps, bolts, lids, lock rings and system accessories before testing.
- Release all air in system before testing.
- Tighten Sta-Rite pump trap lids to 30 ft. lbs. (4.1 kg-cm) torque for testing.
- Water pressure for test must be less than 25 PSI (172 kPa).
- Water Temperature for test must be less than 100° F. (38° C).
- Limit test to 24 hours. After test, visually check system to be sure it is ready for operation. Remove pump trap lid and retighten hand tight only.

**NOTICE:** These parameters apply to Sta-Rite equipment only. For non-Sta-Rite equipment, consult equipment manufacturer.

**⚠ WARNING**



**Hazardous Pressure!**  
**Can cause tank explosion.**

Do not connect filter to compressed air under any circumstances.

## GENERAL INFORMATION

- Clean a new pool as well as possible before filling pool and operating filter. Excess dirt and large particles of foreign matter in the system can cause serious damage to the filter and pump.
- With a modular Diatomaceous Earth (DE) filter in place and operating correctly, clean water is returned to the pool faster than pool water is being contaminated. A typical pool installation will require approximately one week to obtain and maintain the sparkle that your filter is capable of giving you.
- Do not use more than the recommended amount of DE in your filter. Excess DE can cause a buildup of DE and “bridging” between the pleats which will plug the filter.
- Maximum pressure is 50 PSI (345 kPa). DO NOT connect the filter to a city water system or to an individual water well system.

**▲ WARNING Hazardous pressure. Open air release valve to vent all air from system before operating system. NEVER operate filter with air trapped inside.**

- The Sta-Rite modular DE filter is designed to filter water for swimming pools. On a new pool installation, we recommend:

1. Disassemble the filter after the initial cleanup.

**▲ WARNING Hazardous pressure.** To prevent severe injury or major property damage, exactly follow "Filter Disassembly/Assembly Procedure" on Pages 6 and 7.

2. Remove and hose down the element assembly to remove spent DE and contaminants.

- Maintain pool water pH between 7.2 and 7.6.
- Make sure that internal air bleed tube and filter are clean and installed properly at top of module before operating filter.
- Make sure that Posi-Lok™ Ring is securely locked in place before operating filter.
- Maintain pressure gauge in good working order. Replace a damaged gauge immediately.
- Cleaning interval is based on pressure rise, not on length of time filter is operated. Different water conditions will have different normal cleaning intervals.
- Check local codes for restrictions on waste water and DE disposal requirements.

**NOTICE:** Some pool disinfectants may clog filter module. To maximize module life and filter cycle time, closely follow disinfectant manufacturer's instructions when cleaning pool or filter (see Page 8).

### Owner's Information

Serial Number \_\_\_\_\_

Dealer \_\_\_\_\_

Dealer's Telephone # \_\_\_\_\_

Purchase Date \_\_\_\_\_

Installation Date \_\_\_\_\_

Pressure Gauge Reading at Startup \_\_\_\_\_

### When to Clean the Filter

The filter module should normally be cleaned when the pressure gauge reading increases 10 PSI over the start-up pressure (record the start-up pressure under "Owner's Information", below, right).

In some pools, accessories such as fountains or pool cleaners may be noticeably affected by the normal decrease in flow as the filter becomes dirty. If so, clean the filter more frequently (that is, at a pressure increase of less than 10 PSI) in order to maintain the required flow.

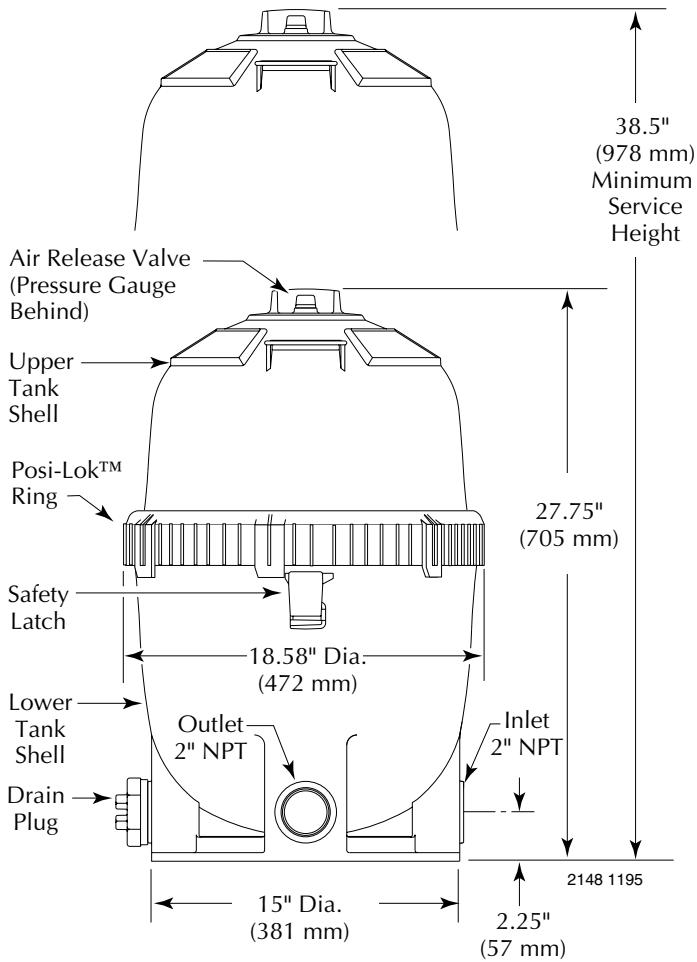
### ▲ WARNING



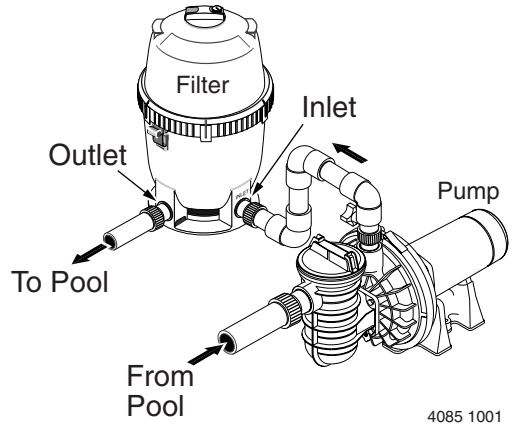
**Risk of drowning and falls. Place equipment at least 4 feet from pool so that children cannot climb over it into pool.**

Do not allow children to stand or play on filter or pump.

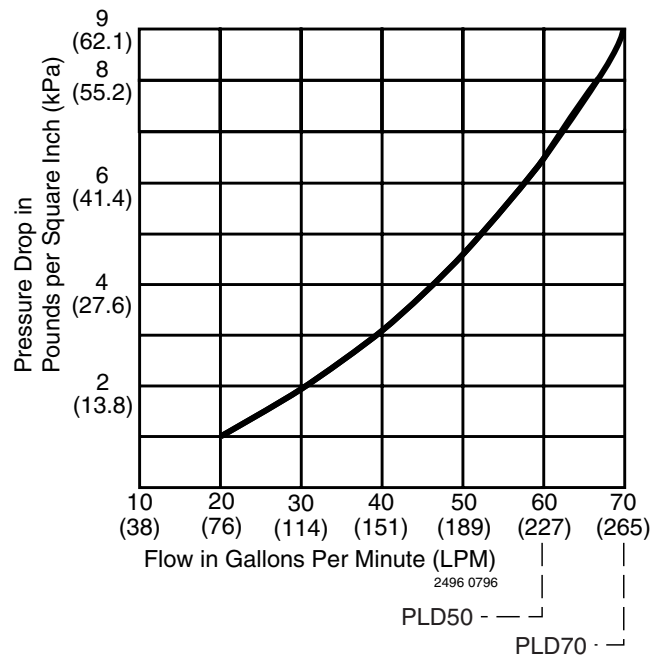
# SPECIFICATIONS



**FIGURE 1A – Dimensions in inches (mm)**



**FIGURE 1B – Piping Connections**



**FIGURE 2 – Pressure Drop Curve**

**Table 1 - Recommended DE Manufacturers**

Johns Manville	Celite 545™
GREFCO, Inc.	Decalite 4200™
Eagle-Picher Minerals, Inc.	Celatom™

**Table 2 - Filter Specifications**

	<b>PLD50</b>	<b>PLD70</b>
Filter Area sq. ft. (m <sup>2</sup> )	30(2.8)	36(3.3)
Lbs. (kg) of DE Used	6 lbs.(2.7 kg.)	4 lbs.(1.8 kg.)
Maximum Flow Rate gpm (L/m)	60(227)	70(265)
Max. Operating Pressure psi (kPa)	50(345)	50(345)
Max. Continuous Water Temperature F(C)	104°(40°)	104°(40°)

One half pound of DE will fill a one pound coffee can.

# INSTALLATION

Installation of filter should only be done by qualified, licensed personnel.

## Assembly

- Unpack the pump or pump and base and check for transit damage.
- Open the accessory package.
- Install hoses with adapters and clamps provided in the accessory package. Run one line from the skimmer to the pump suction port and the other line from the filter outlet to the pool inlet fitting.

## Filter mount must:

- Be solid, level, rigid, vibration free, and provide for adequate drainage.
- Be as close to pool as possible to reduce pressure loss from pipe friction.
- Be protected from excess moisture.
- Provide weather and freezing protection.
- Provide adequate ventilation to prevent motor from overheating.
- Provide space and lighting for easy access for servicing pump and piping (See Figure 1, Page 4, for space requirements).
- Be installed with the trap suction inlet below the pool water level at all times (to allow pump to prime).

## Piping (See Figure 1B for correct connections):

- Piping must conform to local/state plumbing and sanitary codes.
- Use teflon tape, Plasto-Joint Stik<sup>®1</sup>, or Silastic RTV #732<sup>®</sup> on all male connections of plastic pipe and fittings. **DO NOT use pipe compounds on plastic pipe; it will cause the pipe to crack. Do not use sealant on unions – assemble them dry and hand tight.**
- Support pipe independently to prevent strains on filter.
- Fittings restrict flow; for best efficiency use fewest possible fittings.
- For ease of maintenance, use Sta-Rite union couplings to connect the piping to the filter inlet and outlet ports.
- Keep piping tight and free of leaks: pump suction line leaks may cause trapped air in filter tank or loss of prime at pump; pump discharge line leaks may show up as dampness or jets of water.
- **NOTICE:** Overtightening can crack filter ports.

## Valves:

- Install valves on both sides of the filter to isolate filter for easy servicing.  
**NOTICE:** Install heater downstream of filter. If heater does not incorporate a check valve, install one at the heater inlet to prevent hot water from backing up into the filter. Filter modules damaged by excessive heat will void the warranty.
- A check valve installed ahead of filter inlet will prevent contaminants from draining back into pool.

## Electrical:

- **BE SURE** filter grounding and bonding meets local and National Electrical Code standards. All wiring, grounding and bonding of associated equipment must meet local and National Electrical Code Standards.

<sup>1</sup> Lake Chemical Co., Chicago, IL

### NOTICE

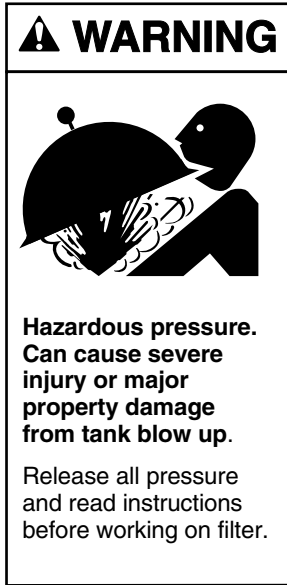
Make sure that the filter and all piping can be drained for winterizing. See "Winterizing", Page 9.

### ⚠ WARNING



**Risk of drowning and falls. Place equipment at least 4 feet from pool so that children cannot climb over it into pool.**

Do not allow children to stand or play on filter or pump.



## INITIAL START-UP

**⚠** Be sure pump is OFF before starting procedure.

**⚠** Do not operate these filters at more than 50 PSI (345 kPa) under any circumstances!

**⚠ CAUTION** To prevent serious damage to the element fabric, NEVER run your DE filter without a diatomaceous earth precoat!

1. Securely lock Posi-Lok™ ring in place by rotating ring CLOCKWISE until it “clicks” past the safety latch (see Figure 3). Stop turning as soon as the ring clicks past the latch. The ring may feel slightly loose, but it will tighten up when pump is on and filter is under pressure.
2. Fill trap on pump with water.
3. Open air release valve on top of filter.
4. Open isolation valves.
5. Start pump to purge air from system.
6. When steady stream of water comes from air release valve, close the valve. **NOTICE:** Leaking around the Posi-Lok™ ring may indicate that the ring is not fully locked. In this case, proceed as follows:

- A. Stop the pump, close the isolation valves, and open the air release valve to release any pressure within the filter.
- B. Remove the drain plug and drain all water from the filter.
- C. Push down on the top of the filter to fully seat the upper tank shell.
- D. Rotate the Posi-Lok™ clockwise until it locks behind the safety latch (see Figure 3).
- E. If the ring was already locked, remove it and the upper tank shell. Inspect and clean the O-ring and all sealing surfaces. Relubricate the O-ring.

**NOTICE:** Lubricate O-ring only with the silicone grease provided or equivalent, as other lubricants may cause the ring to swell. DO NOT lubricate Posi-Lok™ ring or threads on lower tank shell as this may collect grit and make removal difficult.

7. To prepare precoat slurry, mix diatomaceous earth (DE) and water. Use four pounds of DE for Model PLD70; use six pounds of DE for Model PLD50. DO NOT use more DE than recommended.

**NOTICE:** Using more than the recommended amount of DE will clog the filter. Using less than the recommended amount will give an uneven precoat and shorten the life of the element.

8. Empty slurry slowly into skimmer to precoat filter element with an even filtering precoat.

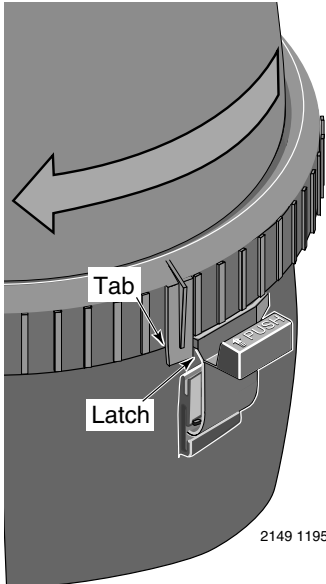
After filter is operating, record filter pressure gauge reading in owner's manual for future use.

**NOTICE:** When installed on a new pool, after approximately 48 hours of operation disassemble filter and clean out plaster dust, construction debris, etc. (see “Module Cleaning Procedure”, Page 8).

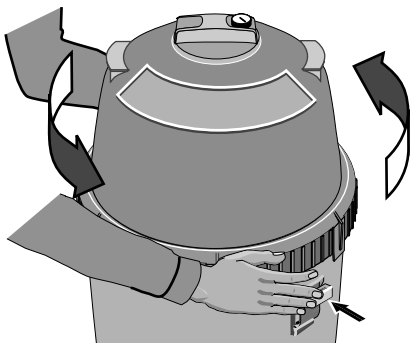
## FILTER DISASSEMBLY/ ASSEMBLY PROCEDURE

**⚠ WARNING** Hazardous pressure. Before disassembling filter:

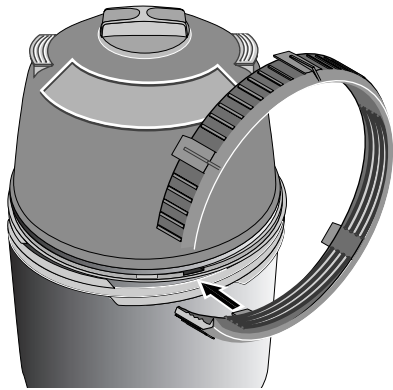
1. STOP PUMP.
2. CLOSE isolation valves.
3. OPEN air release valve and drain fitting.
4. WAIT until all pressure is released and water drained from filter tank and system before loosening Posi-Lok™ Ring.



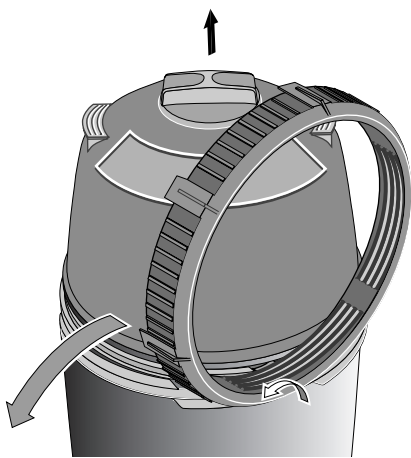
**Figure 3 – Rotate Posi-Lok™ Ring until tab locks behind the safety latch.**



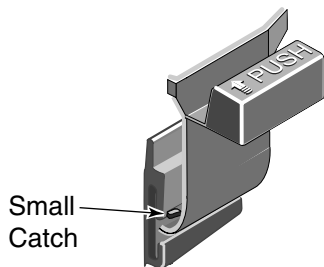
**Figure 4 – Depress safety latch to unscrew Posi-Lok™ Ring.**



**Figure 5 – Insert ring tab in slot in filter body.**



**Figure 6 – Roll ring to one side to loosen upper tank half.**



**Figure 7 – Safety Latch**

### Disassembly:

1. Stop the pump.
2. Close isolation valves to prevent flooding.
3. Open air release valve on top of filter tank to release all pressure from inside of tank.

**NOTICE:** Make sure that waste water disposal complies with local codes and ordinances.

4. Remove drain plug and drain all water from tank.
5. Remove Posi-Lok™ ring as follows:
  - a. Press safety latch (below the ring) toward the tank to release it (see Figure 4).
  - b. Hold latch in the release position and rotate ring COUNTERCLOCKWISE to remove. If ring is difficult to turn, tap gently with a rubber mallet to overcome initial resistance.

**NOTICE:** DO NOT use screwdriver or bladed instrument that may damage shell surfaces to pry tank shells apart.

6. Separate upper and lower tank shell halves using tabs on bottom of Posi-Lok™ ring. Insert tab into slot located at tank joint and twist ring to pry shell halves apart. See Figures 5 and 6.
7. Remove O-ring from upper tank shell. Inspect for cuts, cracking, deformation or signs of wear; replace if necessary.

**NOTICE:** To avoid strain or damage, allow filter module to drain before lifting it out of the tank.

### SAFETY LATCH (See Figure 7)

The purpose of the safety latch is to hold the Posi-Lok™ ring in the locked position. If the latch is damaged, replace it as follows:

1. Press down on the small catch behind the safety latch and press or tap the latch out of the “Tee” slot in the tank (see Figure 7).

2. Snap the new latch into position.

**NOTICE:** DO NOT operate the filter if the safety latch is damaged or will not hold the Posi-Lok™ ring in the locked position.

### Assembly:

1. Inspect and clean the tank, ring threads and O-ring groove. Replace damaged parts as necessary.
2. Install the filter by placing the port in the bottom of the filter cartridge over the tank outlet port. Push down firmly to seal.
3. Ensure that the air bleed assembly on top of the module is clean and properly mounted.

**NOTICE:** Lubricate O-ring only with the silicone grease provided or equivalent, as other lubricants may cause the ring to swell. DO NOT lubricate Posi-Lok™ ring or threads on lower tank shell as this may collect grit and make removal difficult.

4. Install the O-ring in the upper tank shell O-ring groove. Be sure that the O-ring is clean and not twisted.
5. Push the upper tank shell into the lower tank shell to compress the O-ring.
6. Place the Posi-Lok™ ring squarely over the tank shell threads and rotate COUNTERCLOCKWISE until the ring falls into the slots; then rotate CLOCKWISE until securely latched.
7. Follow instructions in the “Initial Startup” section of this manual.

### When to Clean the Filter

The filter module should normally be cleaned when the pressure gauge reading increases 10 PSI over the start-up pressure (record the start-up pressure under "Owner's Information", Page 3).

In some pools, accessories such as fountains or pool cleaners may be noticeably affected by the normal decrease in flow as the filter becomes dirty. If so, clean the filter more frequently (that is, at a pressure increase of less than 10 PSI) in order to maintain the required flow.

### Recommended Specialty Filter Cleaners

Filter Cleanse™,  
Great Lakes Biochemical

BIOGUARD Strip Kwik™,  
BIOGUARD KleenIt™,  
Softswim® Filter Cleaner,\*\*  
BIOLABS, Inc.

Filter Kleen™,  
Haviland Products Co.

BAQUA CLEAN™, \*\*  
Zeneca, Inc.

\*\* MUST be used when using any PHMB based sanitizer.

## MODULE CLEANING PROCEDURE

**⚠ WARNING Risk of chemical burns.** Do not attempt to acid clean the filter or module. If the filter requires acid cleaning, have a trained pool professional do the job.

Follow all steps in the "Disassembly" section of this manual.

The filter module should be removed and cleaned when pressure rises more than 10 psi (69 kPa) above startup pressure. See also "When to Clean the Filter," at left.

**NOTICE:** Do not expose the filter module to sunlight for any extended period of time.

**NOTICE:** When sanitizing your pool using PHMB (polyhexamethylene biguanide based) cleaners, use *only* PHMB cleaners to clean the module. When using PHMB sanitizers, the filter module **MUST** be cleaned more thoroughly and frequently than for a pool using chlorine. Follow manufacturer's instructions carefully. Use of any other type of cleansers with PHMB pool sanitizers will void the filter's warranty.

**NOTICE:** Avoid washing filter debris into the outlet port. Remove drain plug and flush foreign material from inside of tank before removing filter module.

1. With a hose equipped with a soft flow nozzle, wash as much dirt as possible off of the filter module while it is still inside the tank. Allow tank to drain completely.
2. Make sure that the inside of the tank is clean. Lift out the module and hose it down thoroughly. Spray the entire module surface. Allow module to drain.
3. Inspect the module. If necessary, repeat the washing operation. If the module is damaged, replace it.

**NOTICE:** If this cleaning method does not remove all deposits, see "Special Cleaning Instructions" section in this manual.

4. Inspect and clean air bleed filter at top of module.
5. Follow all steps in the "Assembly" and "Initial Startup" sections of this manual.

### Special Cleaning Instructions:

Use this procedure to clean scale or oils which are not removed by hosing down module. Be sure to dispose of spent chemicals according to all applicable codes and waste disposal ordinances. Use a soft stream nozzle to minimize flying water and spray.

**⚠ DANGER Risk of fire or explosion. Isolate filter from system before chemical cleaning; rinse filter and elements completely before returning to service.** If filter cannot be isolated, remove media and clean at another location. Follow chemical manufacturer's instructions for use. Do not mix chemicals except as directed by manufacturer. Do not allow cleaning chemicals to mix with or to come in contact with chlorine, bromines, other chemicals, or chemical feed devices.

1. Sponge or spray the module according to chemical manufacturer's directions.
2. If soaking is required, remove the module from the filter tank and submerge it in a separate tank. Follow cleaner manufacturer's instructions carefully.
3. After completing chemical manufacturer's instructions, drain and rinse the module completely. Dispose of cleaners in accordance with local codes and disposal ordinances.
4. Rinse the inside of the filter tank. Drain it completely.
5. Follow instructions in the "Assembly" and "Initial Startup" sections of this manual.

# SYSTEM INSPECTION

## General:

Wash the outside of the filter with a mild detergent and water. Rinse off with a hose.

**NOTICE:** DO NOT use solvents to clean the filter; solvents may damage plastic components in the system.

**NOTICE:** Open the air bleed valve and bleed all air from the filter each time the pump is stopped and restarted.

## Weekly Inspection:

1. Remove debris from the pool skimmer basket.
2. Stop the pump; open the air release valve to release all pressure.
3. Remove the trap cover and basket; remove debris.
4. Check the pump for leaks. If found, see the pump owner's manual.
5. Replace the trap basket and the cover. Tighten the cover securely hand tight. DO NOT use a lid wrench to tighten it.
6. Start the pump. When the filter air release valve runs a solid stream of water, close the valve.
7. When the system has returned to normal operation, check the filter pressure. If the filter pressure is 10 PSI (69kPa) or more higher than the initial startup pressure, the filter needs cleaning. See "Module Cleaning Procedure", Page 8.

# WINTERIZING

**⚠ WARNING** Explosion hazard. Purging the system with compressed air can cause components to explode, with risk of severe injury or death to anyone nearby. Use only a low pressure (below 5 PSI), high volume blower when air purging the pump, filter, or piping.

**NOTICE:** Protect the filter from freezing. Allowing the filter to freeze will damage it and will void the warranty.

1. Clean the filter according to instructions (Page 8) before winterizing.
2. Stop the pump.
3. Open the air release valve; open all the system valves.
4. Remove the drain plugs from the trap, pump, and filter.
5. Drain the system piping.
  - A. Gravity drain system as far as possible.
  - B. Protect areas which retain water with non-toxic propylene glycol antifreeze ("RV antifreeze").
6. Loosen the union nuts (if used) to drain all water from the filter interior. Leave these nuts loose until the system is restarted.
7. Disassemble the filter (follow instructions under "Filter Disassembly", Pages 6 and 7). Remove the filter module and store it in a warm, dry area.
8. If the filter is equipped with an optional internal spring check valve (in the tank outlet), manually open the check valve to allow any water trapped in the tank to drain.
9. Cover the filter with plastic or tarpaulin to prevent water entrance and freezing.

## NOTICE

The filter outlet piping will not empty through the filter drain. Make sure that the outlet piping has a separate drain for winterizing.

# TROUBLESHOOTING GUIDE

## 1. Short Cycle Time:

**NOTICE:** Cycle Time will vary with each installation and between different areas of the country. The following causes and remedies are for cycle times shorter than normal for your area.

- A. Chlorine residual too low; maintain proper residual (consult pool professional for recommendation).
- B. Flow rate too high; restrict flow to rated capacity of filter (see instruction plate on filter or specifications on Page 4).
- C. Filter is too small; install an additional filter.
- D. Improper/insufficient precoat; see precoat instructions (Page 6).
- E. Filter module is dirty or plugged; thoroughly clean the filter (see No. 4, "Plugged Module Cloth", and "Module Cleaning Procedure", Page 8).
- F. Too much DE; check for clogged filter module.
- G. Water is chemically out of balance; consult pool professional.
- H. Algae in the pool. Apply heavy dose of chlorine or algicide as recommended by the pool manufacturer.

## 2. Low Flow/High Pressure:

- A. Elements plugged; clean filter thoroughly (see Page 8).
- B. Pipe blocked downstream from filter; remove obstruction.
- C. Piping too small; use larger pipe (consult dealer for sizing).
- D. Filter area too small; install an auxiliary filter (consult dealer for recommendation).
- E. Outlet port check valve obstructed (if applicable); remove obstruction to allow valve to open.

## 3. Low Flow/Low Pressure:

- A. Pump too small; consult dealer for recommendations.
- B. Plugged pump or plugged hair and lint trap; clean thoroughly.

## 4. Plugged Module Cloth:

**NOTICE:** The pleated filter material may look matted after use. However, as long as the DE adheres to the pleated cloth, the filter is operating properly.

- A. Insufficient precoat; see precoat instructions (Page 6).
- B. Insufficient cleaning; follow cleaning instructions closely and clean thoroughly (see Page 8).

- C. Water is chemically out of balance; consult pool professional.
- D. Excessive air in filter; non-precoated areas may plug. Vent air from tank and check for pump suction pipe leaks. Clean air bleed filter in grid assembly with a hose and soft flow nozzle.
- E. Filter is too small. Install an additional filter.
- F. Pool water contains iron. See "Special Cleaning Instructions", Page 8.
- G. Algae in pool. Apply heavy dose of chlorine or algicide as recommended by the pool manufacturer.
- H. Use of incorrect chemicals with PHMB sanitizers. Replace filter module.
- I. Not enough D.E. precoat. Filter requires 6 lbs. (2.7 kg.) of D.E. for adequate precoat.

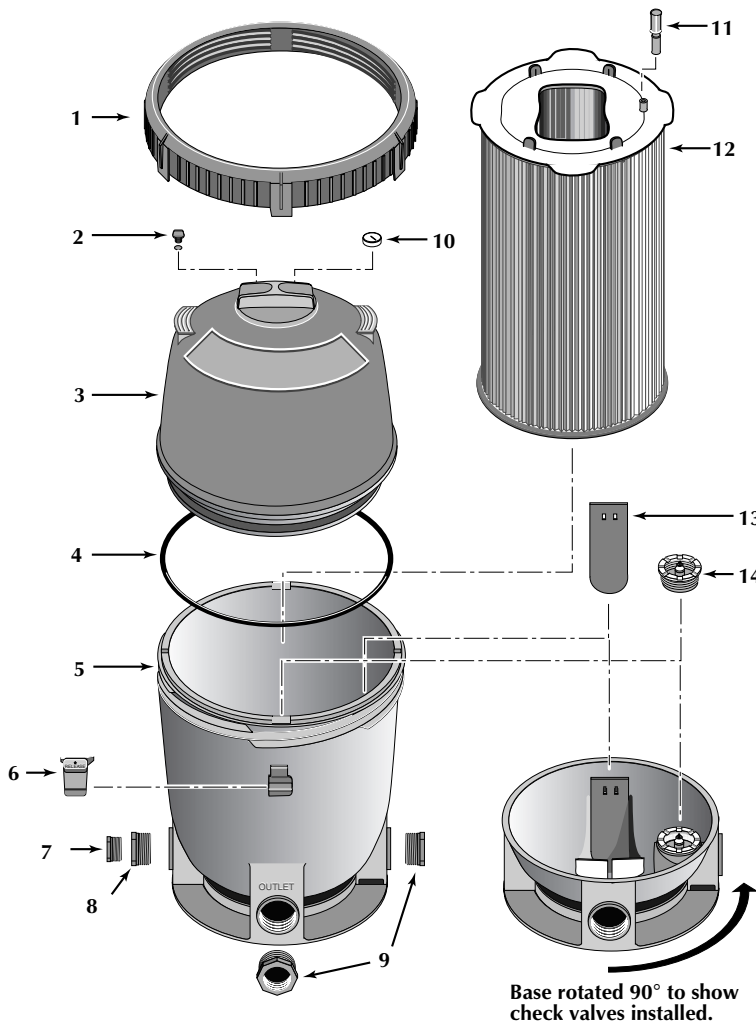
## 5. Pool Water Not Clean:

- A. Chlorine residual too low; maintain adequate chlorine residual (consult pool service technician for recommendation).
- B. Broken filter module passing DE into pool; replace defective module.
- C. Insufficient or improper precoat; follow precoating instructions and use recommended amount of DE (see Page 6).
- D. Inadequate turnover rate; consult dealer to verify that equipment is properly sized for your pool.
- E. Pump is too large and is overpumping. Reduce the flow rate.
- F. The filter is installed backwards. Reinstall it correctly.
- G. Pool water contains iron. See "Special Cleaning Instructions", Page 8.
- H. Heavy or improper application of powdered chlorine tablets using a binder. See "Special Cleaning Instructions", Page 8.
- I. Algae in the pool. Apply heavy dose of chlorine or algicide as recommended by the pool manufacturer.

## 6. Pool Accessories Stop Working:

- A. Clean filter and observe performance of accessories.
- B. If accessories perform better after filter has been cleaned, use a shorter cleaning cycle for the filter (that is, clean the filter after a pressure rise of less than 10 PSI).

## REPAIR PARTS



Key No.	Description	Qty.	Part Number
1	Posi-Lok™ ring	1	27001-0054
2	Air release valve assembly	1	25010-0200
3	Tank shell upper half*	1	27001-0020S
4	Tank O-ring	1	27001-0061S
5	Tank shell lower half	1	27001-0009S
6	Safety latch for ring	1	27001-0051
7	1-1/2" NPT plug w/O-ring	1	27001-0017S
8	Adapter fitting	1	24900-0510
9	2" x 1-1/2" Pipe reducer**	2	U78-820P
10	Pressure gauge***	1	15060-0000T
11	Air bleed assembly	1	24800-0122
12	Filter module (PLD50)	1	27002-0030S
12	Filter module (PLD70)	1	27002-0036S
13	Flapper valve	1	27001-0011
14	Spring check valve**	1	27001-0130S
	• Platform base§	1	-
	• Accessory package	1	27001-0140
	• Decal, logo	1	27001-0041
	• Decal, warning	1	27001-0042
	• Decal, operating instr.	1	27003-0043
	• Decal, nameplate (PLD50)	1	27003-0045
	• Decal, nameplate (PLD70)	1	27003-0048
	• Decal, Inlet	1	32165-4010
	• Owner's manual	1	S339
	• Teflon tape***	1	U97-58
	• O-ring grease***	1	34725-0013

- Not illustrated.
- \* Includes all decals and labels.
- \*\* Optional equipment.
- \*\*\* Shipped in accessory package.
- § Included with purchase of complete system only.

## STA-RITE LIMITED WARRANTY

Pumps, filters, skimmers, underwater lights (except bulbs), accessories and fittings manufactured by Sta-Rite are warranted to be free of defects in material and workmanship for one (1) year from date of installation.

**Product specific warranties:** **Year from date of installation**

<i>HRPB, DEPB, System 3, System 2 and Posi-Clear</i>	
Tanks .....	10 years
Internal filter components and valves .....	1 year
<i>Max-E-Therm - Pool/Spa Heaters</i> .....	
Heater Enclosure only (Upper RH & LH; lower enclosure; and control board enclosure)...	10 years
<i>Automatic Pool Cleaners including Hose</i> .....	2 years
<i>Cristal-Flo filters - Tanks</i> .....	
Valve and internal components. ....	1 year
<i>Posi-Flo II - Tanks</i> .....	
Elements .....	1 year
<i>PRC Cartridge -</i>	
Filter Tanks .....	5 years pro-rated (1st 2 years full)
Elements .....	1 year
<i>System 2 Above Ground Systems - Tanks</i> .....	
Pumps / Platform and Internals .....	1 year
<i>Pumps</i> .....	
When equipped with A.O. Smith 2-compartment motors (Does not include pumps sold as part of a systems package) .....	2 years
<i>Traps / In-Line Strainers</i> .....	1 year
<i>Vertical Commercial Filter - Tanks</i> .....	
Internals .....	1 year
<i>Horizontal Commercial Filter</i>	
Tanks .....	5 years
(Years 6-9, Prorated declining 20%/year, Yr. 10 - 10%)	
Internals .....	1 year

\* Full warranty coverage is in effect for one year after installation. The pro-rated warranty covers the *tank only* during the 2nd through 10th year after installation. The amount covered decreases by 10% each year. (ie., 2nd year 90% covered, 3rd year 80% covered, etc.).

The foregoing warranties relate to the original consumer purchaser ("Purchaser") only. Sta-Rite shall have the option to repair or replace the defective product, at its sole discretion. Purchasers must pay all labor and shipping charges necessary to replace the product covered by this warranty. Requests for warranty service must be made through the installing dealer. This warranty shall not apply to any product that has been subject to negligence, misapplication, improper installation or maintenance, or other circumstances which are not in Sta-Rite's direct control.

This warranty sets forth Sta-Rite's sole obligation and Purchaser's exclusive remedy for defective products.

**STA-RITE SHALL NOT BE LIABLE FOR ANY CONSEQUENTIAL, INCIDENTAL OR CONTINGENT DAMAGES WHATSOEVER.**

THE FOREGOING WARRANTIES ARE EXCLUSIVE AND IN LIEU OF ALL OTHER EXPRESS WARRANTIES. IMPLIED WARRANTIES, INCLUDING BUT NOT LIMITED TO THE IMPLIED WARRANTIES OF MERCHANTABILITY AND FITNESS FOR A PARTICULAR PURPOSE, SHALL NOT EXTEND BEYOND THE DURATION OF THE APPLICABLE EXPRESS WARRANTIES PROVIDED HEREIN.

Some states do not allow the exclusion or limitation of incidental or consequential damages or limitations on how long an implied warranty lasts, so the above limitations or exclusion may not apply to you. This warranty gives you specific legal rights and you may also have other rights which vary from state to state.

Supersedes all previous publications.

**Sta-Rite Industries**  
293 Wright St., Delavan, WI 53115

▲ Retain Warranty Certificate (upper portion) in a safe and convenient location for your records.

DETACH HERE: Fill out bottom portion completely and mail within 10 days of purchase/installation to:

▼ Sta-Rite, Attn: Warranty Dept., 293 Wright St., Delavan, WI 53115

**STA-RITE®**



## Warranty Registration Card

Name \_\_\_\_\_

Years pool has been in service  less than 1  1-3  3-5  5-10 \_\_\_\_\_

Address \_\_\_\_\_

Purchased from:  
Company name \_\_\_\_\_

City \_\_\_\_\_ State \_\_\_\_\_ Zip \_\_\_\_\_

Address \_\_\_\_\_

Purchase Date \_\_\_\_\_

City \_\_\_\_\_ State \_\_\_\_\_ Zip \_\_\_\_\_

Product Purchased \_\_\_\_\_

New installation  Replacement \_\_\_\_\_

Please send me more information on these other products from Sta-Rite.

Type of Pool  Inground  Vinyl  Fiberglass  Gunite \_\_\_\_\_

- Pumps  Filters  Automatic Pool Cleaners
- Maintenance Equipment  Test Strips
- Heaters

Size of Pool \_\_\_\_\_