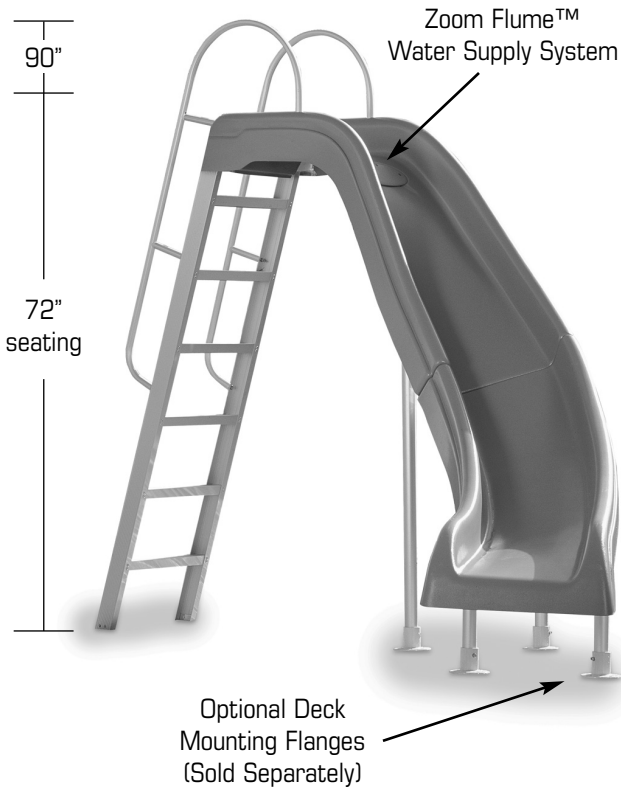


CITY 2™ SLIDE:



FEATURES:

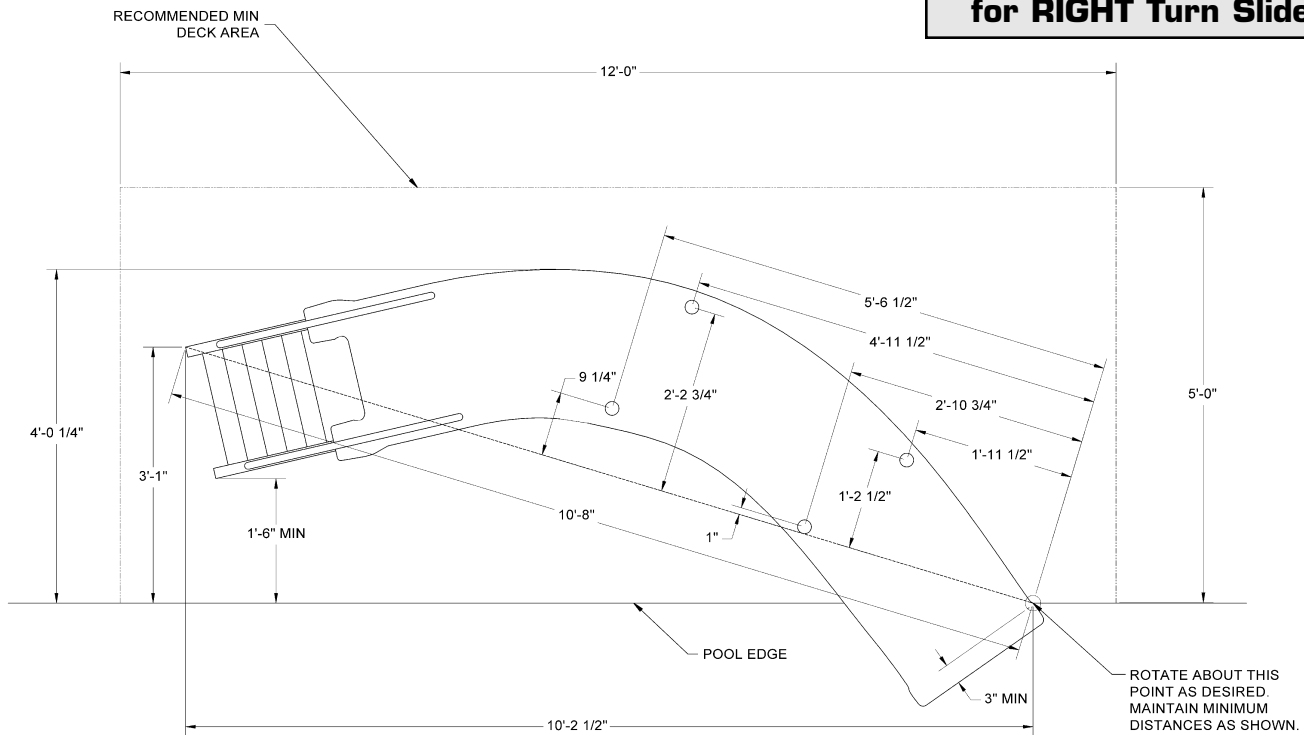
- Durable & Long Lasting Acrylic Construction
- Available in White, Blue, Tan & Gray
- Available in Right or Left Turn
- 72" High at Seating Area
- Extruded Aluminum Ladder & Handrails
- Zoom-Flume™ Water Supply System
- Optional Deck Mounting Flanges Extra
- Weight Limit = 225 Lbs.
- See Available Slide Colors on Pg. 29

CITY 2™ SLIDE - RIGHT

DESCRIPTION	PART NUMBER
City 2 Slide - right - wht	Part #CITY2-CRW
City 2 Slide - right - blue	Part #CITY2-CRB
City 2 Slide - right - tan	Part #CITY2-CRT
City 2 Slide - right - gray	Part #CITY2-CRG

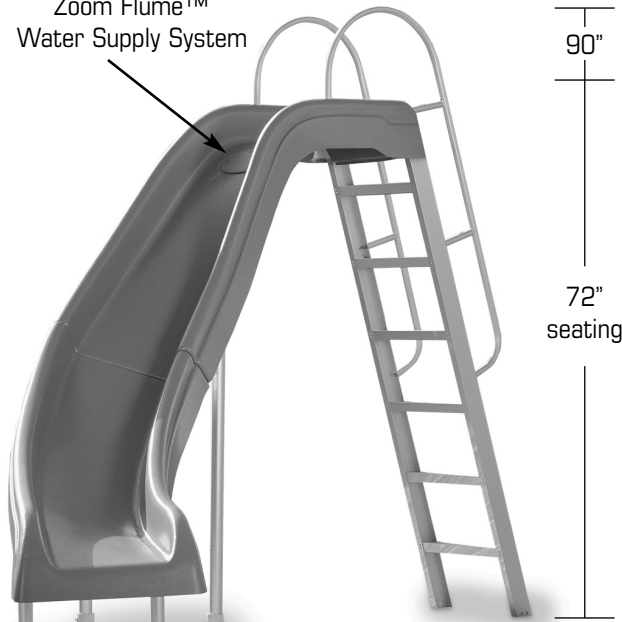
comes w/ss hardware

City 2™ Slide Footprint for RIGHT Turn Slide



CITY 2™ SLIDE:

Zoom Flume™
Water Supply System



90"
72"
seating

Optional Deck
Mounting Flanges
(Sold Separately)

FEATURES:

- Durable & Long Lasting Acrylic Construction
- Available in White, Blue, Tan & Gray
- Available in Right or Left Turn
- 72" High at Seating Area
- Extruded Aluminum Ladder & Handrails
- Zoom-Flume™ Water Supply System
- Optional Deck Mounting Flanges Extra
- Weight Limit = 225 Lbs.
- See Available Slide Colors on Pg. 29

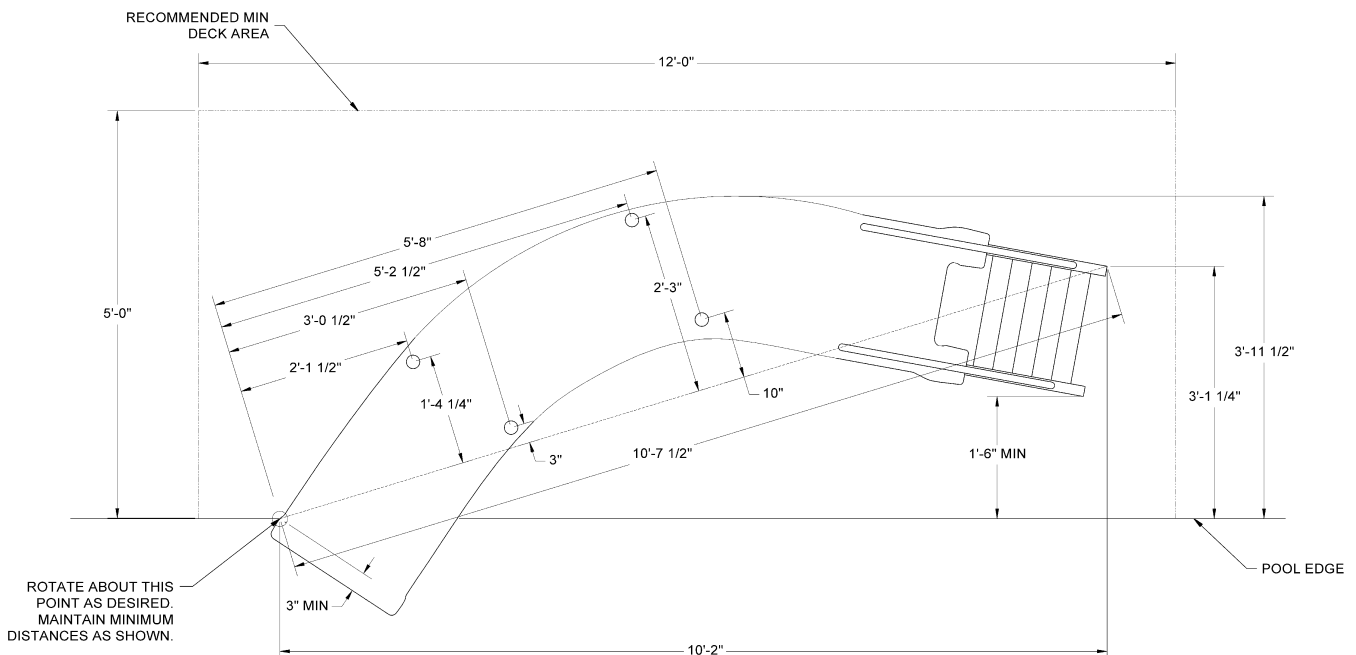
CITY 2™ SLIDE - LEFT

DESCRIPTION	PART NUMBER
City Slide - left - wht	Part #CITY2-CLW
City Slide - left - blue	Part #CITY2-CLB
City Slide - left - tan	Part #CITY2-CLT
City Slide - left - gray	Part #CITY2-CLG

comes w/ss hardware

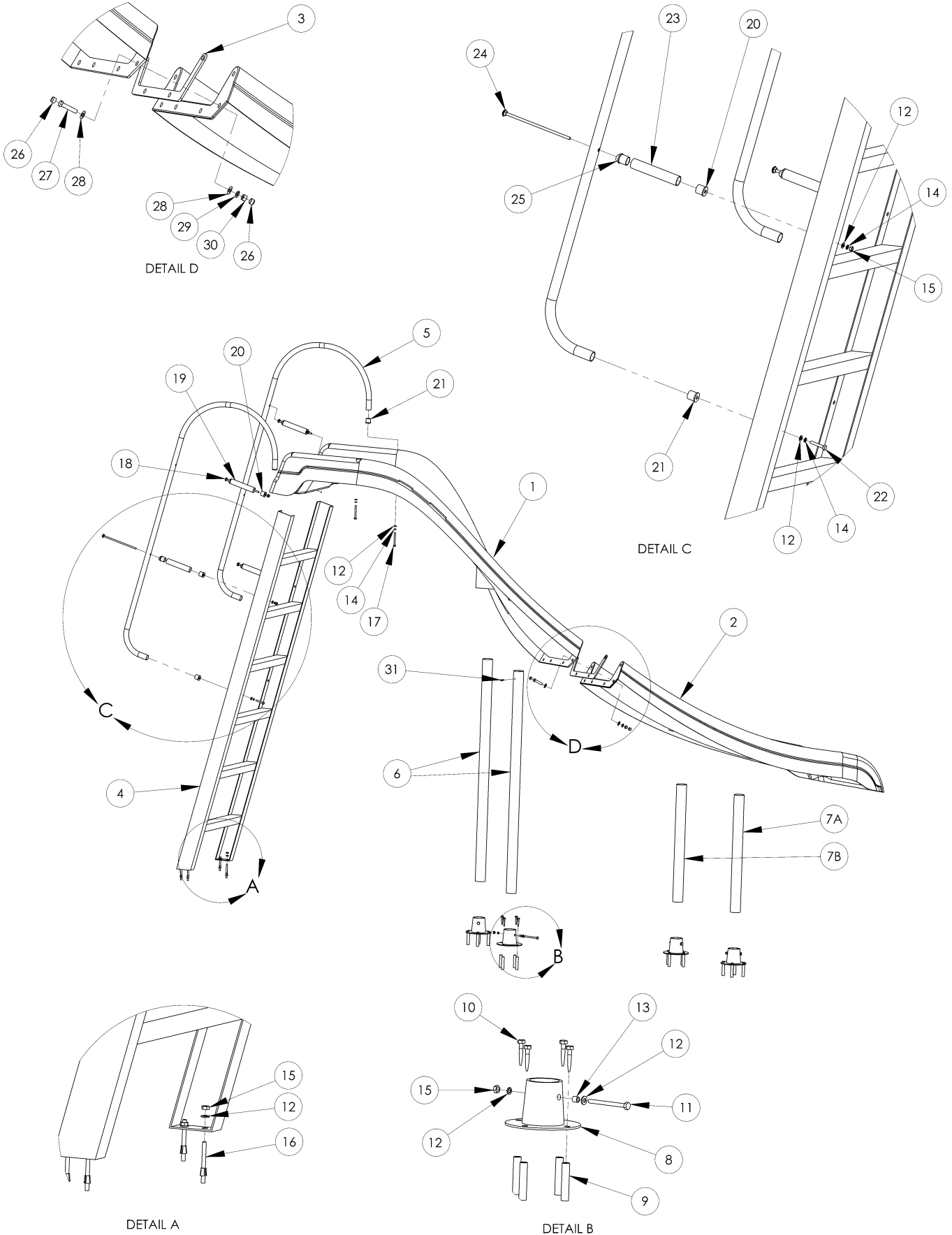
RESIDENTIAL SLIDES

City 2™ Slide Footprint for LEFT Turn Slide



CITY 2™ SLIDE (CITY2-CLW):

RESIDENTIAL SLIDES



CITY 2™ SLIDE (CITY2-CLW):

ALL CHART INFORMATION BELOW CORRESPONDS WITH THE DRAWING ON THE PREVIOUS PAGE.



DRAWING REPRESENTS THE FOLLOWING PART NUMBERS:
CITY2-CL (shown)
CITY2-CR

* City Slide Deck Anchors are Sold Separately (4 required for a complete City Slide install)

ITEM #	COMPONENT	DESCRIPTION	KITS - QTY. COUNTS			
			CS-101-SS	CITY2-PRTS PACK	CITY-DECK ANCH (4)	N/A
1		City 2 Upper Runway				1
2		City 2 Lower Runway				1
3		Gasket				1
4	CITY-LADDER	Aluminum Ladder Assembly		1		
5	CITY HANDRAIL	Aluminum Slide Handrails		2		
6	H-45.500 LEG	45.50" Aluminum Slide Leg		2		
7A	H-23.250 LEG	23.25" Aluminum Slide Leg		1		
7B	H-20.500 LEG	20.50" Aluminum Slide Leg		1		
8	CITY-DECK ANCH	Deck Anchor (optional item; ordered separately)			4*	
9		5/16" Concrete Insert Lag Shield			16*	
10		5/16" x 2-1/2" Hex Lag Screw S.S.			16*	
11		1/4" x 3" Hex Bolt S.S.			4*	
12		1/4" Flat Washer S.S.	8		8*	
13		1/4" x 3/8" Aluminum Bushing			4*	
14		1/4" Lock Washer S.S.	8			
15		1/4" Finish Nut S.S.	8		4*	
16		1/4" x 2-1/4" Wedge Anchor S.S. w/Washer	4			
17		1/4" x 2-1/4" Tap Bolt S.S.	2			
18		1/4" x 12" Carriage Bolt	2			
19		7-1/2" Aluminum Spacer	2			
20		Round to Flat Nylon Connector	4			
21		Round to Flat Nylon Connector w/Wedge	4			
22		1/4" x 1-1/4" Machine Bolt S.S.	2			
23		5-1/2" Aluminum Spacer	2			
24		1/4" x 7-1/2" Carriage Bolt S.S.	2			
25		Round to Round Nylon Connector	4			
26	H-.562 X .390 CAP	Gray Protective Cap	12			
27	H-SS 3/8 X 1-3/4	3/8" x 1-3/4" Hex Head Bolt S.S.	6			
28	H-SS 3/8 FLT WASHER	3/8" x 1" Flat Washer S.S.	12			
29	H-SS 3/8 LOC WASHER	3/8" Lock Washer S.S.	6			
30	H-SS 3/8 F NUT	3/8" Finish Nut S.S.	6			
31		#14 x 3/4" S.S. Pan Head Screw	8			
32	H-1/2 SPA HOSE	1/2" Spa Hose - 10 ft		1**		
33	H-1/2 BALL VALVE	1/2" On/Off Ball Valve		1**		

* OPTIONAL - Deck Anchors and Deck Anchor Hardware are Sold Separately.

** not pictured

NOTES:

City 2 Slides available in white, blue, tan and gray.

City 2 Slides available in both right and left turns.