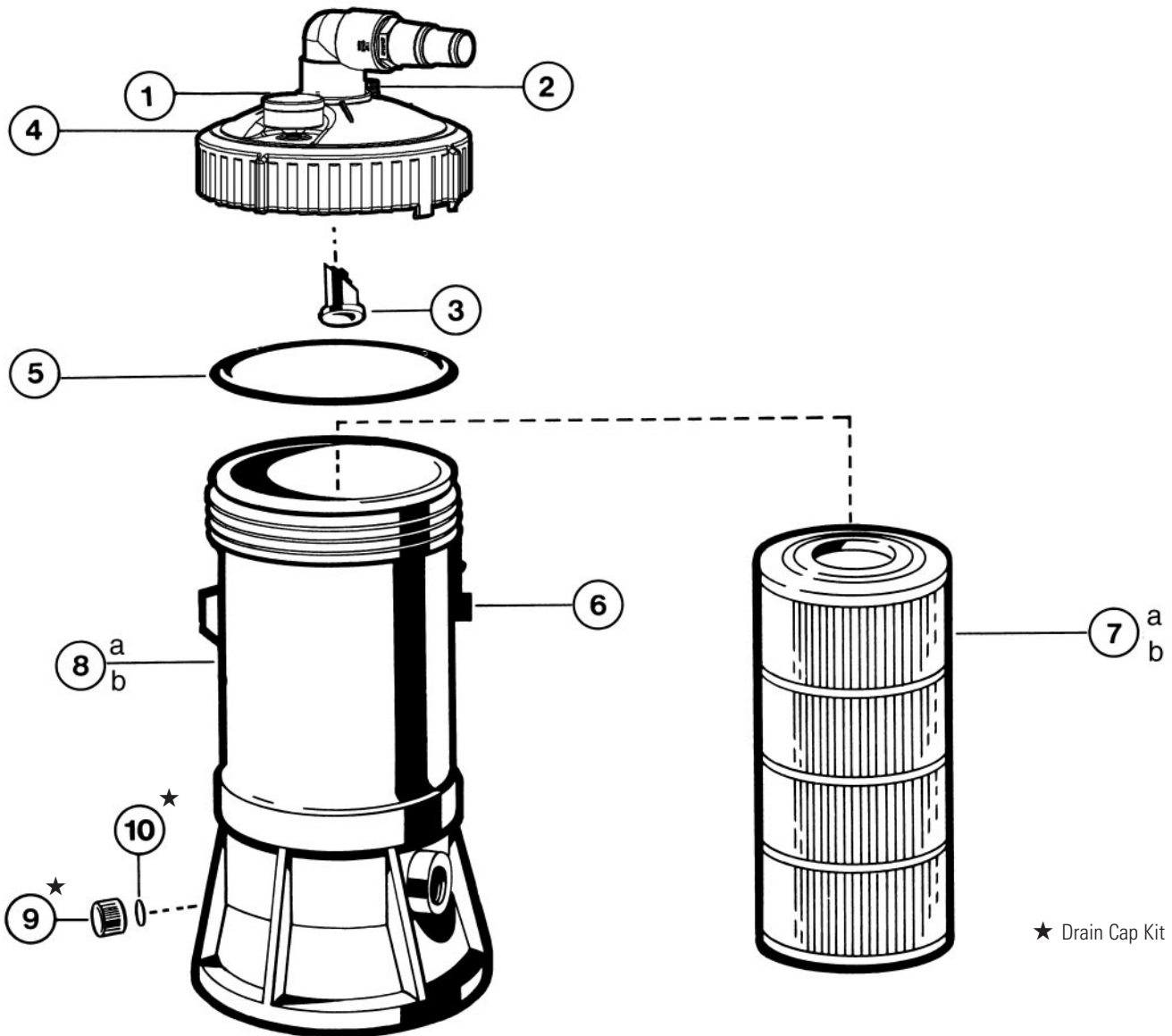




# Easy-Clear™

C400, 550 CARTRIDGE FILTER SERIES REPLACEMENT PARTS

## Parts Diagram and Parts Listing



★ Drain Cap Kit

Ref. No.	Part No.	Description	Ctn. Qty.	No. Req'd
1	ECX27091	Gauge	10	1
2	ECX1322A	Vent Valve with O-Ring	25	1
3	ECX4077B1	Check Valve	10	1
4	CX400BA	Filter Head (Cover) with Check Valve and Locking Ring	1	1
5	CX400G	Filter Head (Cover) O-Ring	10	1
6	CX400D	Locking Ring Latch	10	1
7a	CX410RE	Filter Element (40 sq. ft.)	1	1
7b	CX550RE	Filter Element (55 sq. ft.)	1	1
8a	CX400AA	Filter Body (C400)	1	1
8b	CX550AA	Filter Body (C550)	1	1
9	SX200Z8	Drain Cap	10	1
10	SX200Z9	Gasket	10	1
★	SX200Z8A	Drain Cap Kit (includes #9 & 10)	10	1